

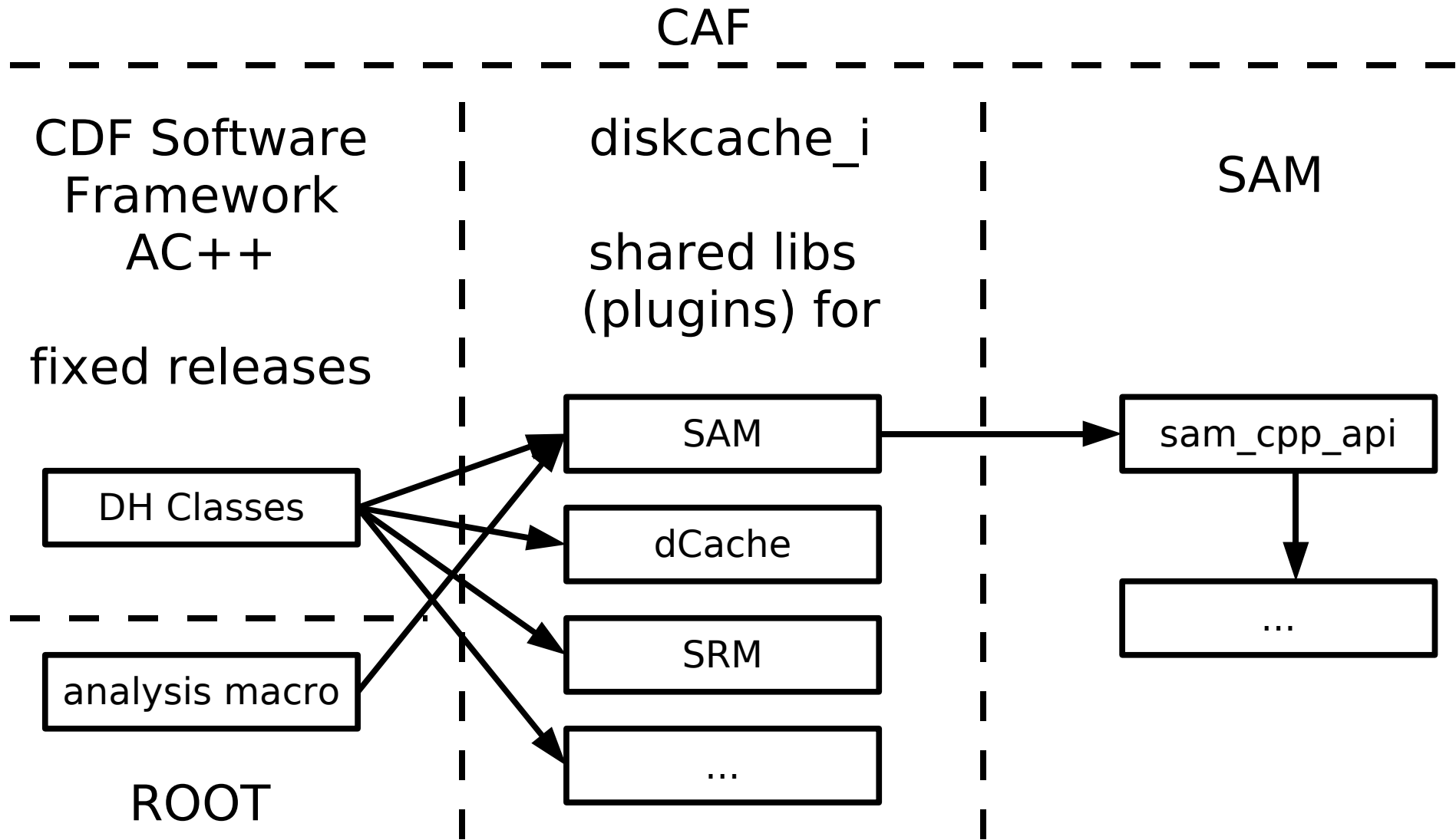
# SAM Interface in CDF Software Framework

SAM Meeting  
04/20/2006

Thomas Kuhr

Institut für Experimentelle Kernphysik,  
Karlsruhe

# Overview

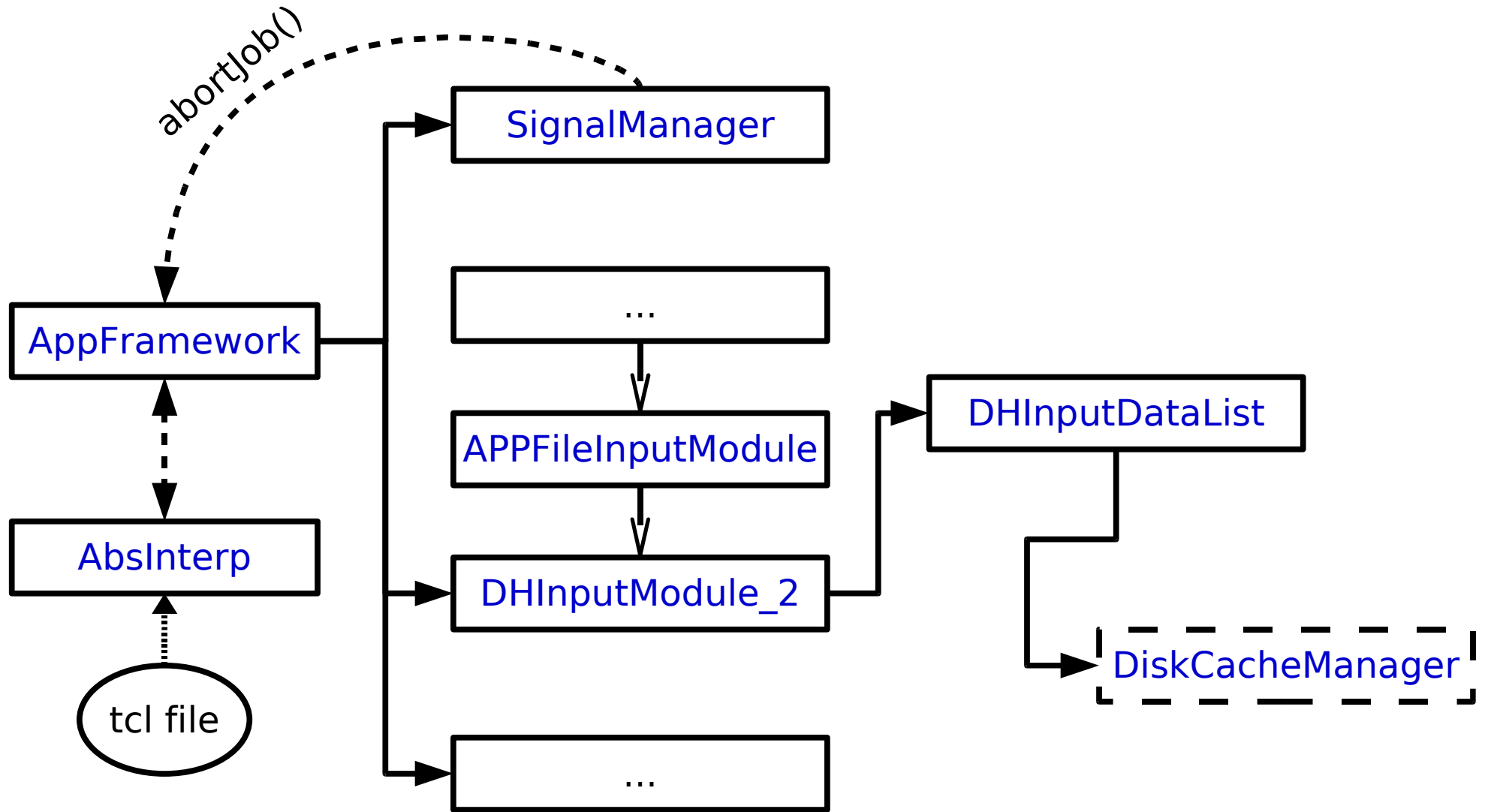


# CAF

---

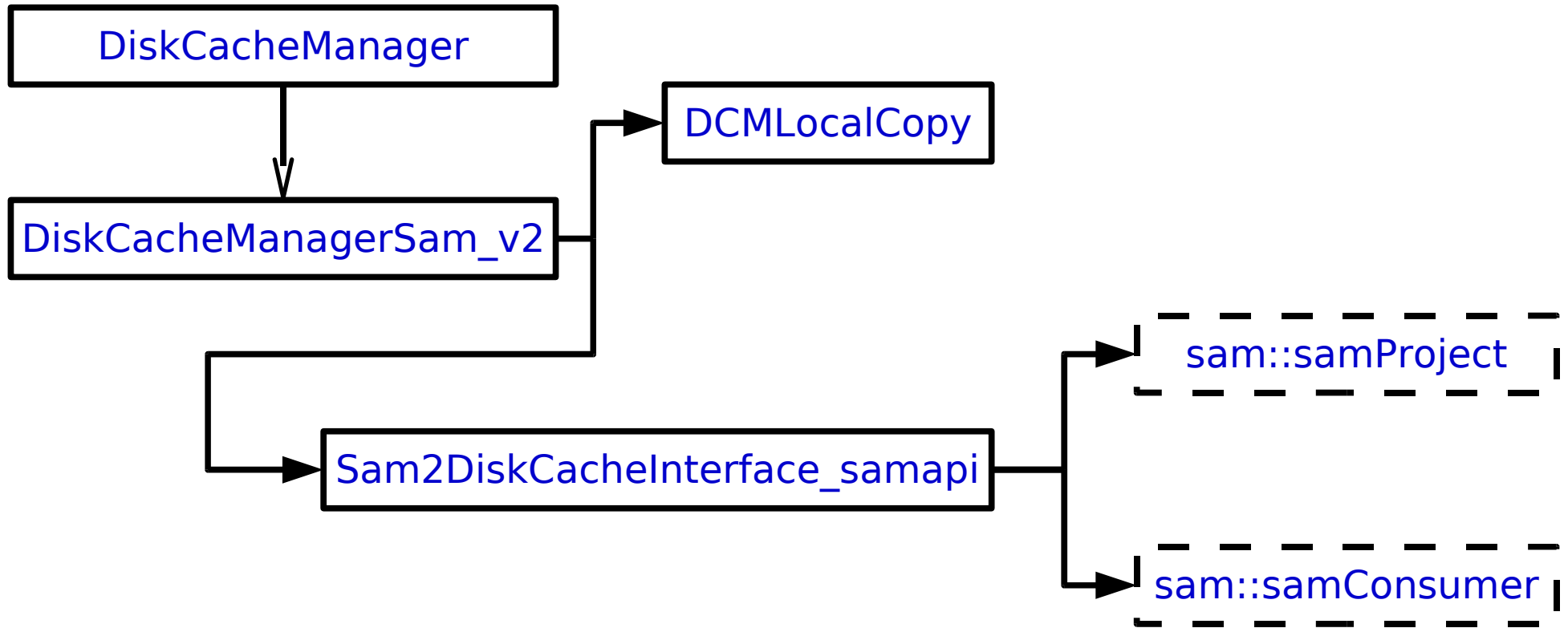
- Check validity of dataset
- Start project and set \$SAM\_PROJECT
- For each job section:
  - Start consumer and consumer process and set \$SAM\_RESERVED\_CID and \$SAM\_RESERVED\_CPID
  - Run user job + copy output
  - Stop consumer, mark bad if job return code != 0 or output copy failed
- Stop project with option force

# AC++ (DH) Classes



# diskcache\_i Classes (SAM part)

---



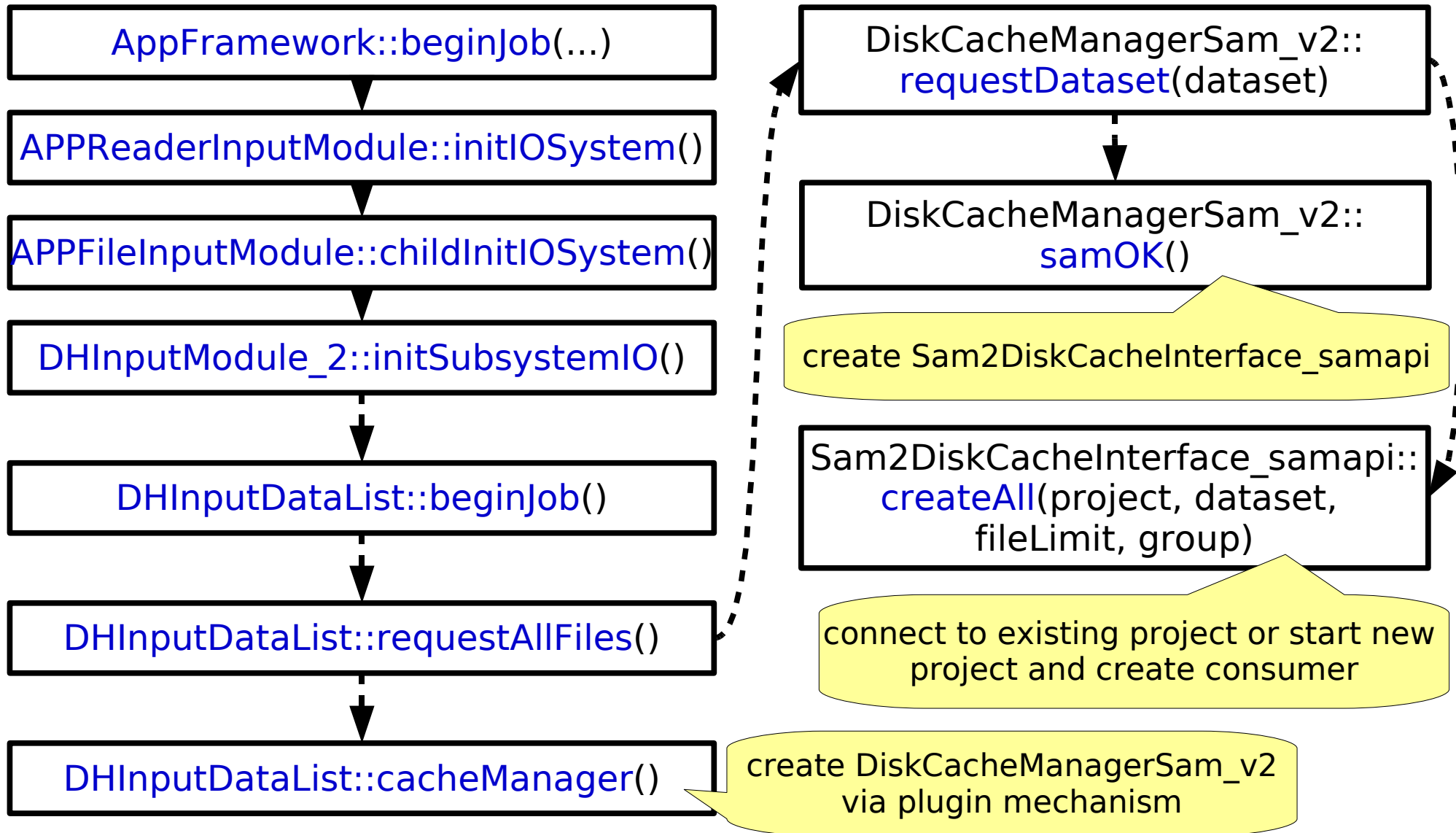
# Configuration Variables

---

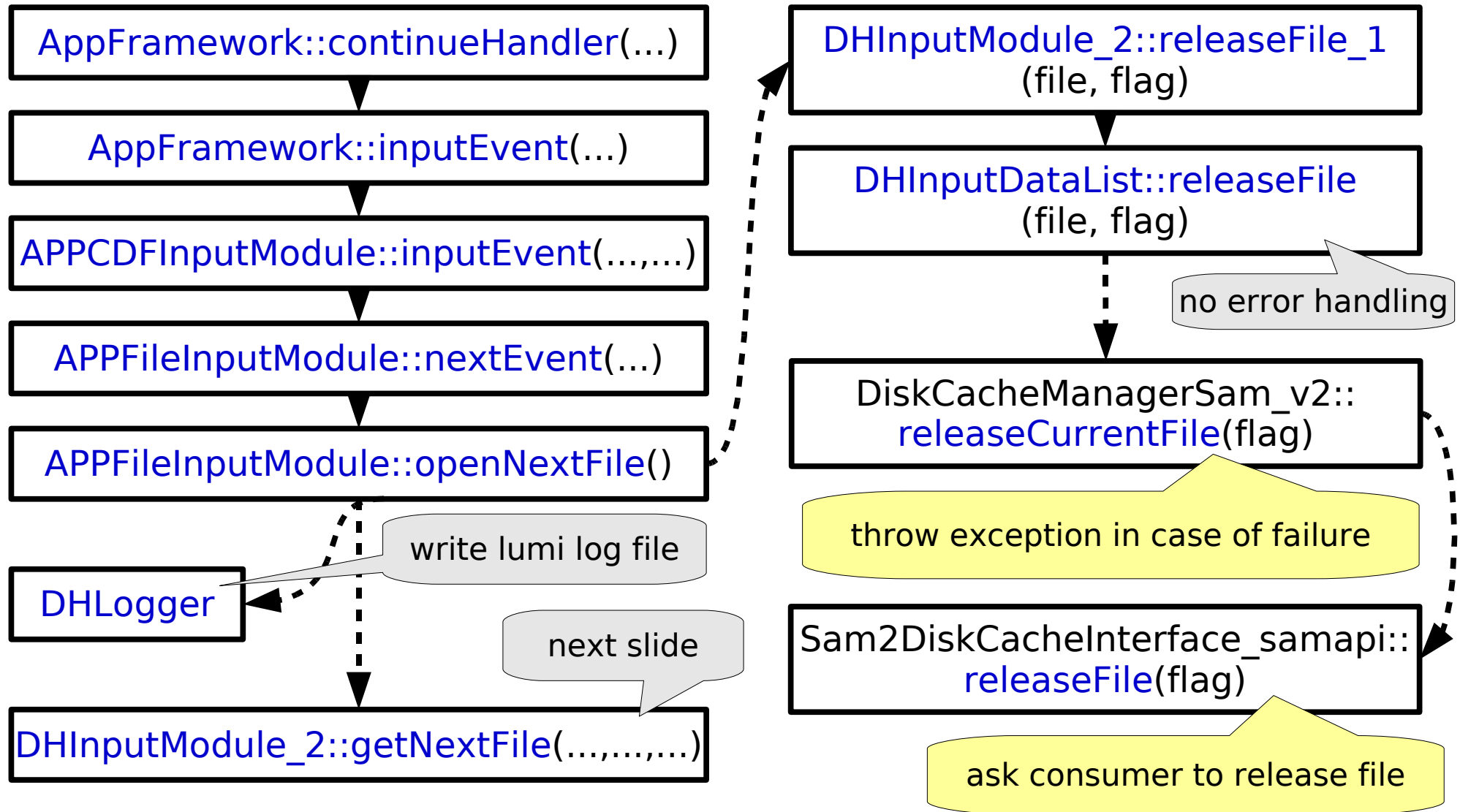
Variable	Environment Variable	Tcl Switch
Station name	SAM_STATION	sam/station
Project name	SAM_PROJECT	sam/project
Dataset name	SAM_DATASET	include dataset
Group name	SAM_GROUP	sam/group
File limit	SAM_FILE_LIMIT	maxFiles
Consumer ID	SAM_RESERVED_CID	
Consumer Process ID	SAM_RESERVED_CPID	
Application name (default: demo)	SAM_CDFSOFTE_APP_NAME	
Application version (default: 1)	SAM_CDFSOFTE_APP_VERSION	
Local copy command	DCM_COPY_COMMAND	
Local copy directory	DCM_COPY_SCRATCH	
Debug output	SAM_INPUT_DEBUG	



# Initialization

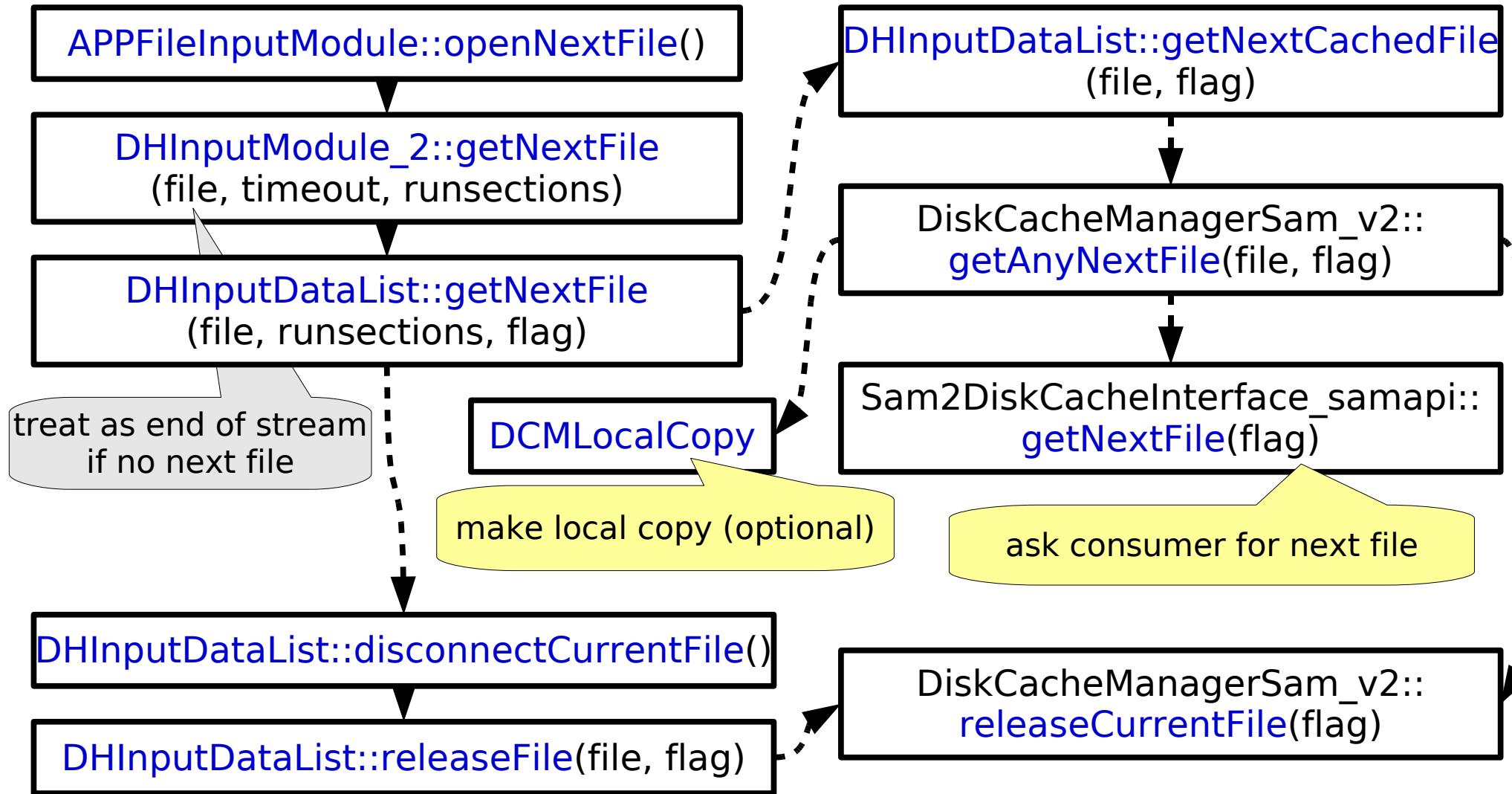


# Event Processing, Releasing Files

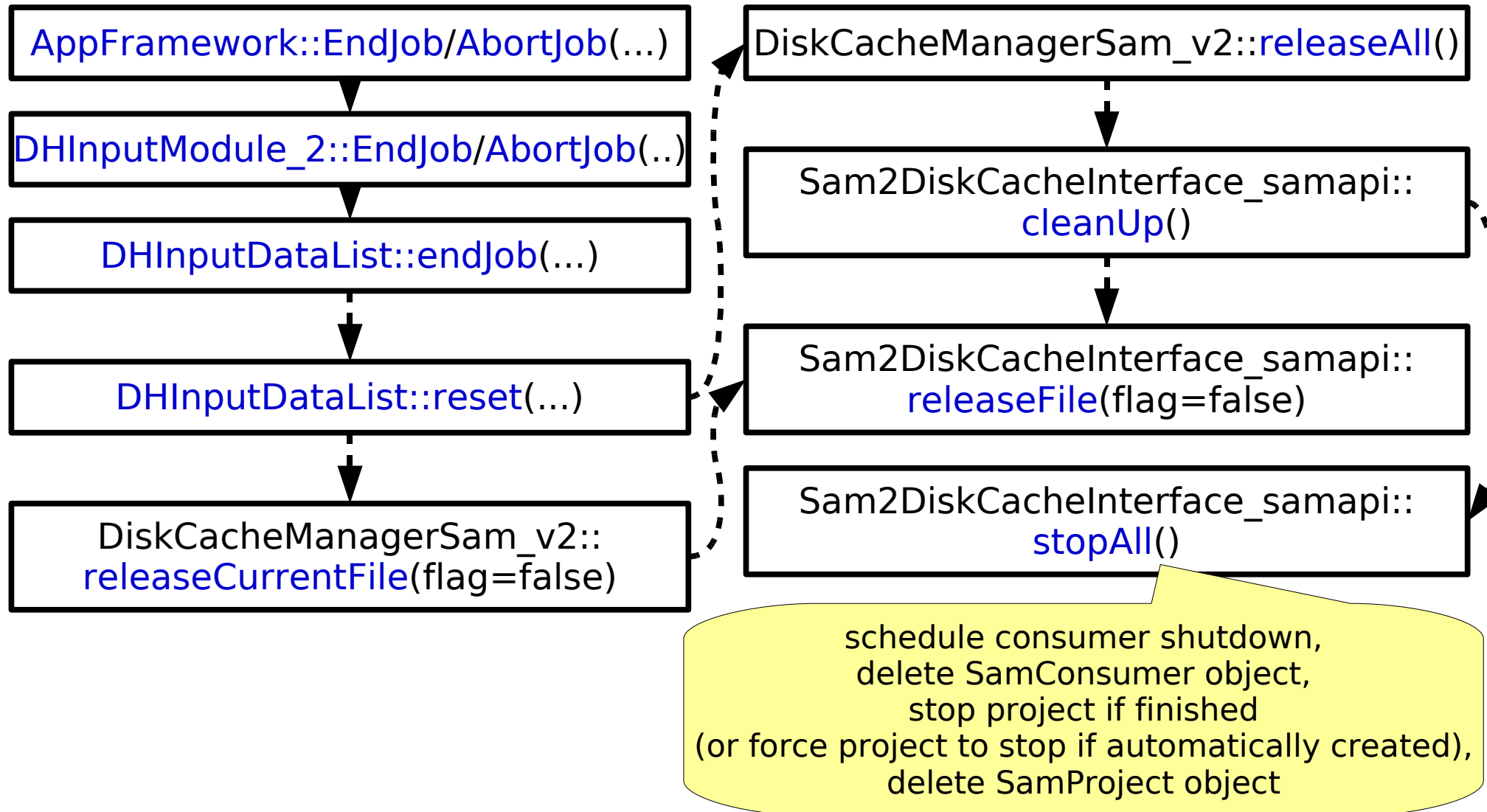




# Next File Request



# Job End / Abort



# ROOT Interface: TSam

