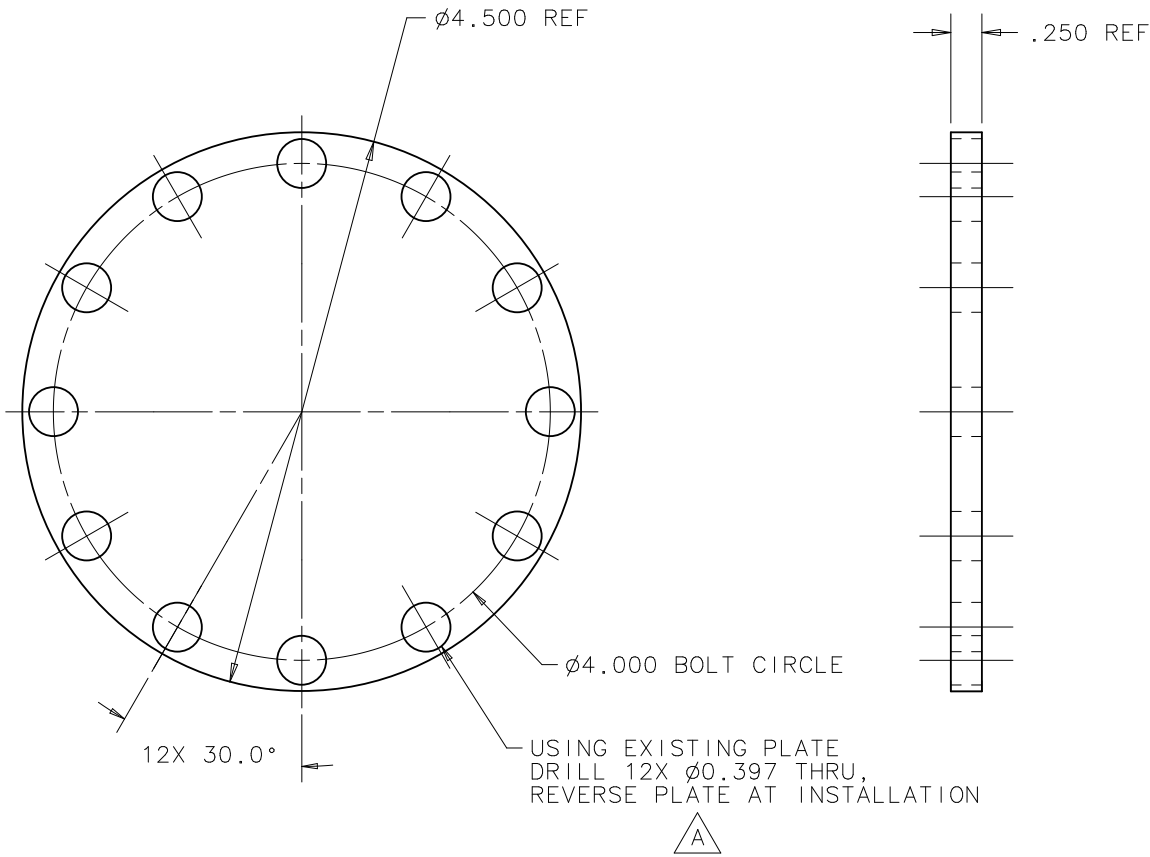


REV	DESCRIPTION	DRAWN	DATE
		APPROVED	DATE
A	ø0.397" HOLES WAS *ø0.332	J. CATALANELLO	04-OCT-2006
		H. CEASE	05-OCT-2006
B	REMOVED ø3.00 HOLE	PAT POLL	10-MAY-2007
		H. CEASE	10-MAY-2007



UNLESS OTHERWISE SPECIFIED			ORIGINATOR	H. CEASE	24-APR-2002
.XX	.XXX	ANGLES	DRAWN	J. CATALANELLO	25-APR-2002
± .03	± .015	± 1°	CHECKED	-----	14-APR-2005
1. BREAK ALL SHARP EDGES .015 MAX. 2. DO NOT SCALE DRAWING. 3. DIMENSIONS BASED UPON ASME Y14.5M-1994 4. MAX. ALL MACH. SURFACES 125 / 5. DRAWING UNITS: U.S. INCH			APPROVED	-----	14-APR-2005
			USED ON ME-407399		
			MATERIAL 6061-T6 ALUMINUM 1/4" THK ROD X 4 1/2" OD		



FERMI NATIONAL ACCELERATOR LABORATORY  
UNITED STATES DEPARTMENT OF ENERGY

PPD/MECHANICAL DEPT.  
BTEV; PIXEL DETECTOR  
CRYO ALUM WINDOW SUPPORT PLATE

SCALE	DRAWING NUMBER	SHEET	REV
FULL	8918.120-MB-407404	1 OF 1	B

CREATED WITH : Ideas12NXSeries | GROUP: PPD/MECHANICAL DEPARTMENT